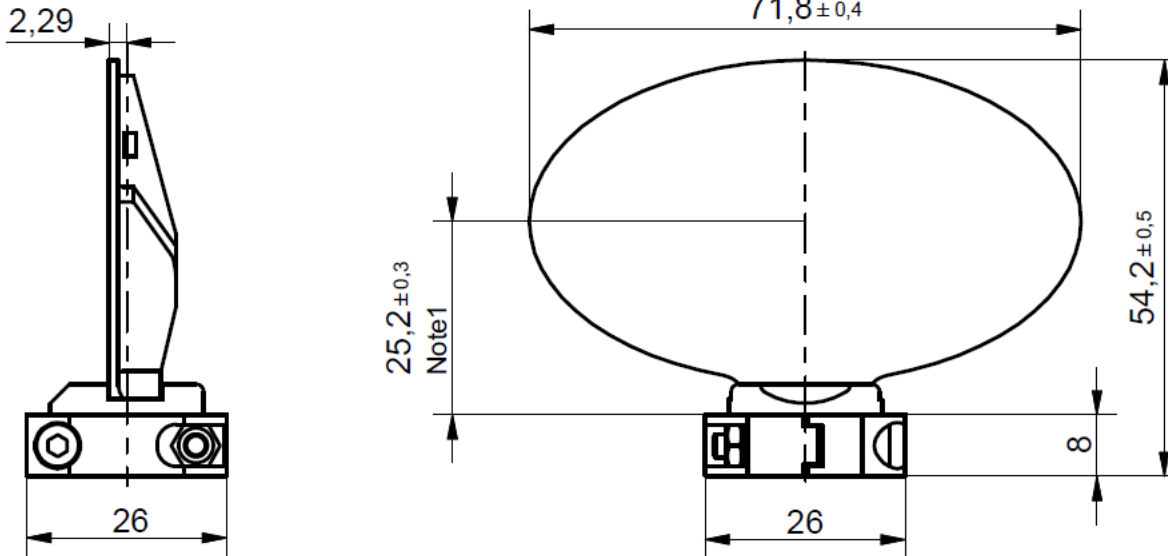


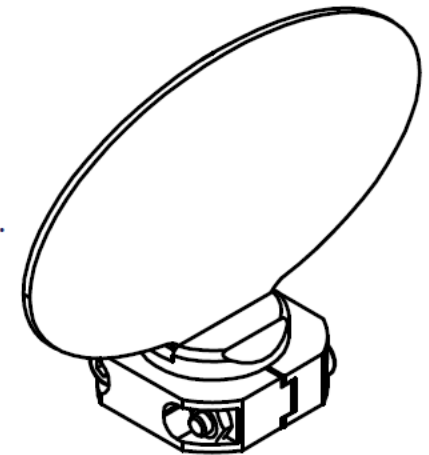
x40G optoSiC+inclusiv glued SM-mount for 12 mm shaft

$J = 52.2\text{g}\cdot\text{cm}^2$
 $M = 32.0\text{g}$



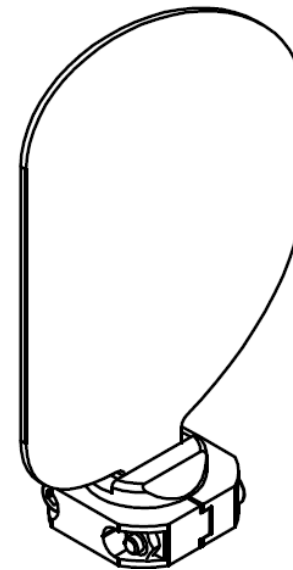
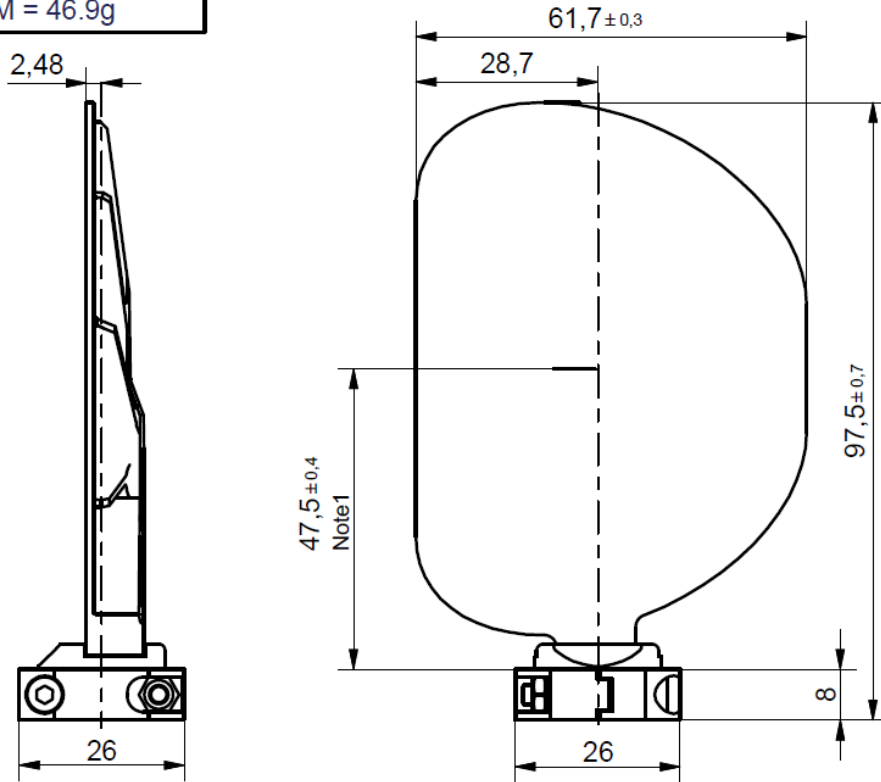
Notes:

1. Dimension from end of the galvo shaft to the center of the clear aperture.
2. Screw size = M3x20mm
3. Nut size = M3
3. Hex Key Size = 2,5mm
4. Recommended screw torque : 1,8Nm
5. Bore-Diameter 12H7



y40G optoSiC+inclusiv glued SM-mount for 12 mm shaft

$J = 71.1g \cdot cm^2$
 $M = 46.9g$



Notes:

1. Dimension from end of the galvo shaft to the center of the clear aperture.
2. Screw size = M3x20mm
3. Nut size = M3
3. Hex Key Size = 2,5mm
4. Recommended screw torque : 1,8Nm
5. Bore-Diameter 12H7