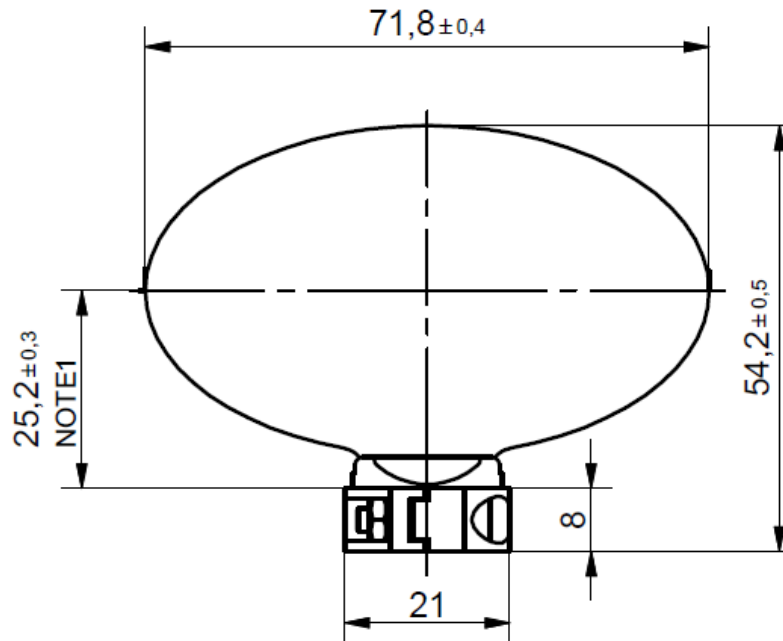
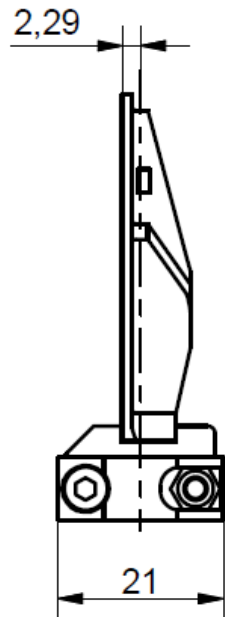


x40G optoSiC+inclusiv glued SM-mount for 8 mm shaft

J = 42,6 g*cm²
M = 27,6 g

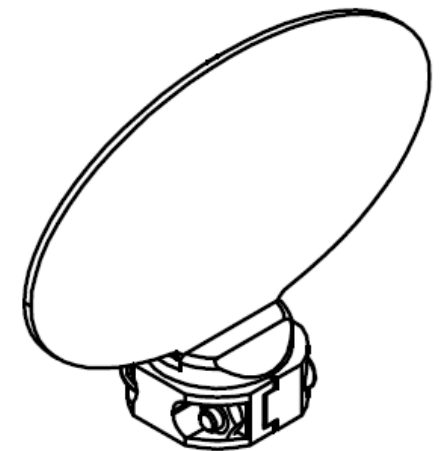


Notes:

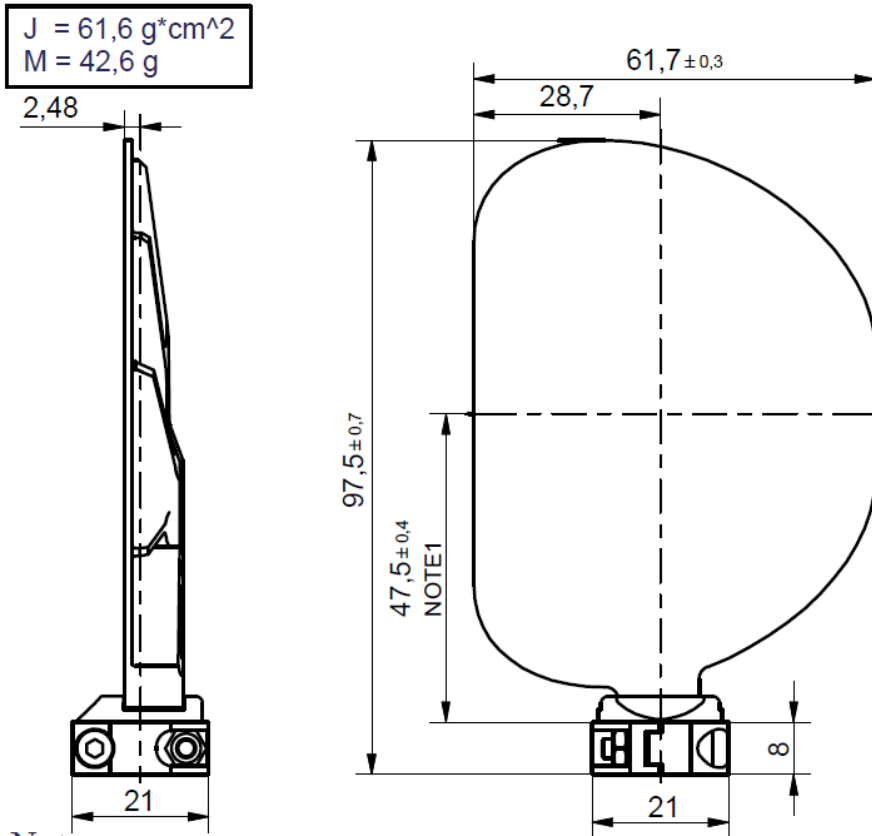
1. Dimension from end of the shaft to the center of the clear aperture.
2. Screw size = M3x14mm
3. Nut size = M3
3. Hex Key Size = 2,5mm
4. Recommended screw torque : 1,8Nm
5. Bore-Diameter 8H7x8

MERSEN Deutschland Holding GmbH & Co. KG; Niederlassung München,
Rupert-Mayer-Str. 44; D-81379 München; Germany Fon: +49 (0) 89 780 7239 0

www.optosic.mersen.com



y40G optoSiC+inclusiv glued SM-mount for 8 mm shaft



Notes:

1. Dimension from end of the shaft to the center of the clear aperture.
2. Screw size = M3x14mm
3. Nut size = M3
3. Hex Key Size = 2,5mm
4. Recommended screw torque : 1,8Nm
5. Bore-Diameter 8H7x8

