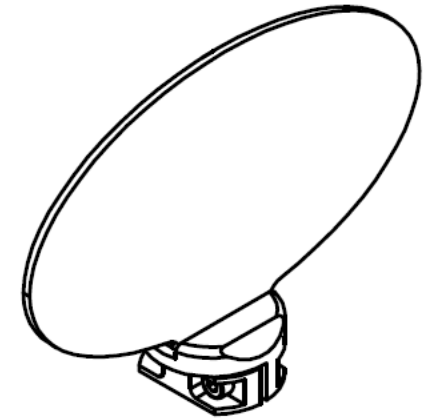
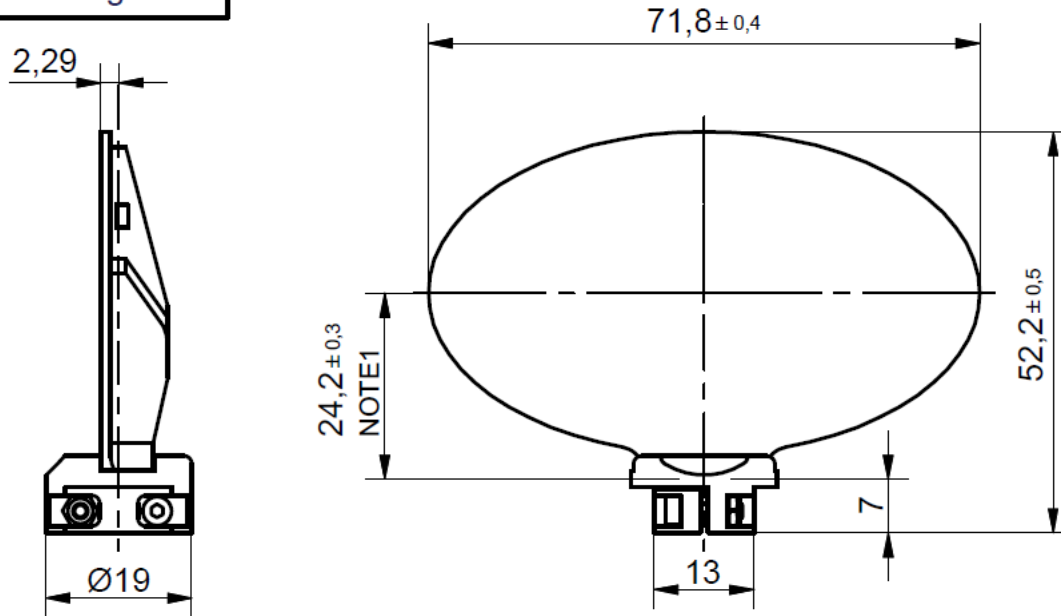


x40G optoSiC+inclusiv glued SM-mount for 7 mm shaft

$J = 37.7\text{g}\cdot\text{cm}^2$
 $M = 21.8\text{g}$

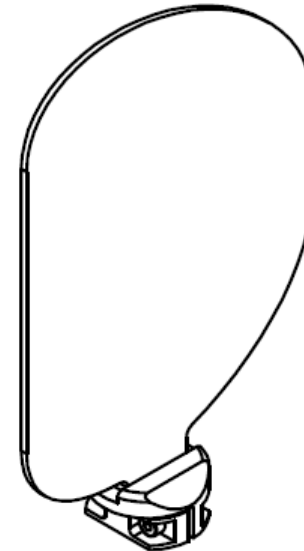
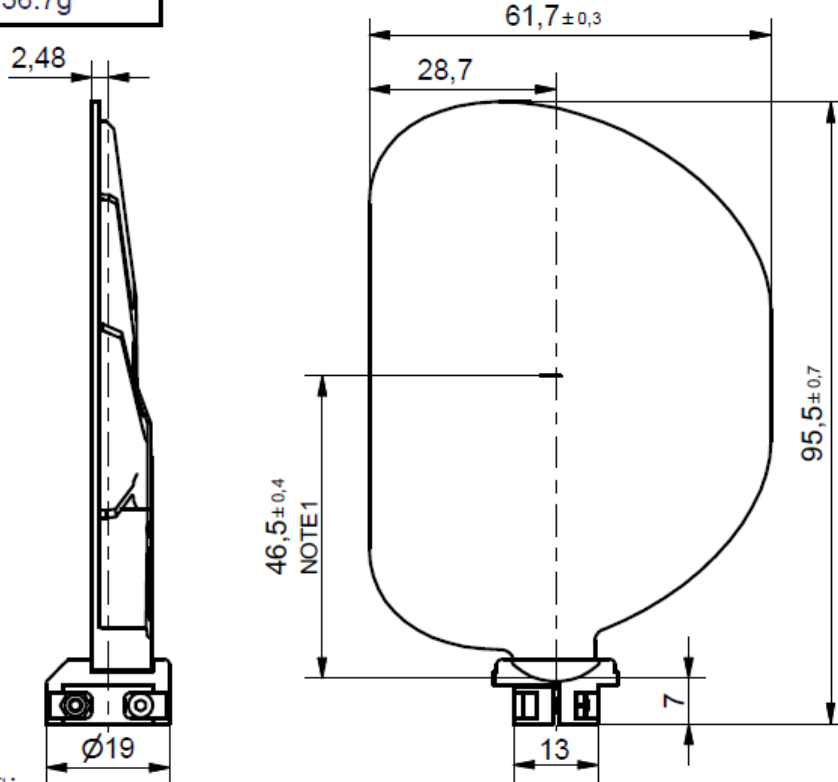


Notes:

1. Dimension from end of the shaft to the center of the clear aperture.
2. Screw size = M2x8mm
3. Nut size = M2
3. Hex Key Size = 1,5mm
4. Recommended screw torque : 0,6Nm
5. Bore-Diameter 7H7

y40G optoSiC+inclusiv glued SM-mount for 7 mm shaft

J = 56.6g*cm²
M = 36.7g



Notes:

1. Dimension from end of the shaft to the center of the clear aperture.
2. Screw size = M2x8mm
3. Nut size = M2
3. Hex Key Size = 1,5mm
4. Recommended screw torque : 0,6Nm
5. Bore-Diameter 7H7